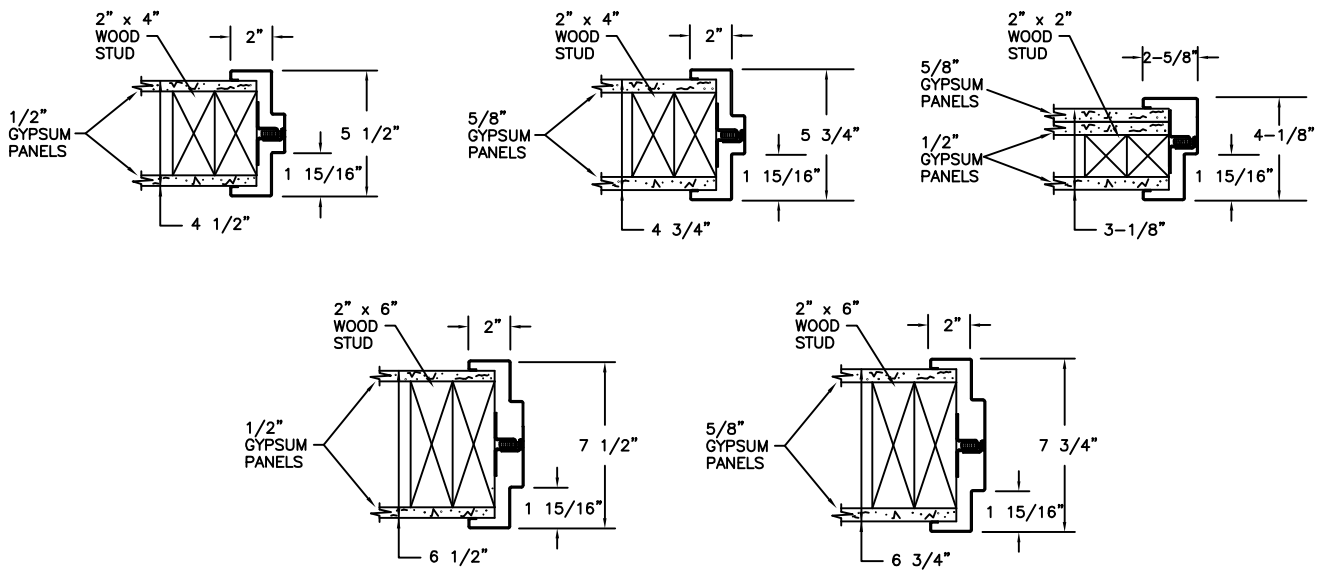


DOOR FRAME WALL APPLICATIONS

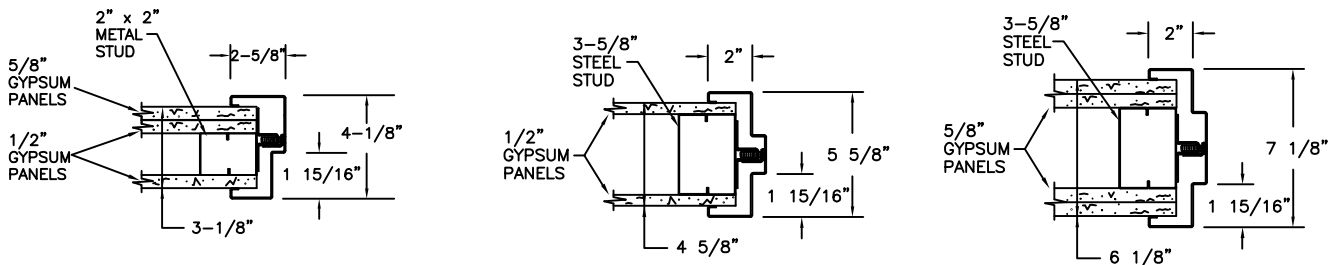
EXISTING OPENING, MASONRY BLOCK,
WOOD STUD, METAL STUD, SLIP ON DRYWALL

SLIP ON DRYWALL - WOOD STUD DETAILS Installed AFTER the drywall



(Conversion: 1" = 25.4 mm, e.g., 1-3/4" = 44.45 mm)
See installation instructions for rough opening size ...

SLIP ON DRYWALL - METAL STUD DETAILS Installed AFTER the drywall

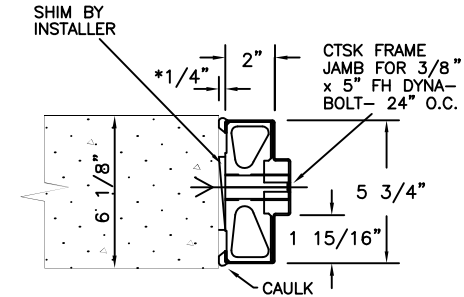


(Conversion: 1" = 25.4 mm, e.g., 1-3/4" = 44.45 mm)

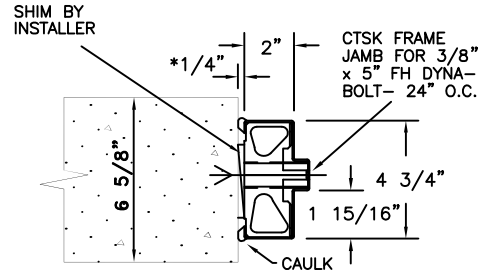
See installation instructions for rough opening size ...

A1-2

TYPICAL EXISTING OPENING ANCHOR DETAILS PRECAST, CAST IN PLACE CONCRETE, OR WOOD

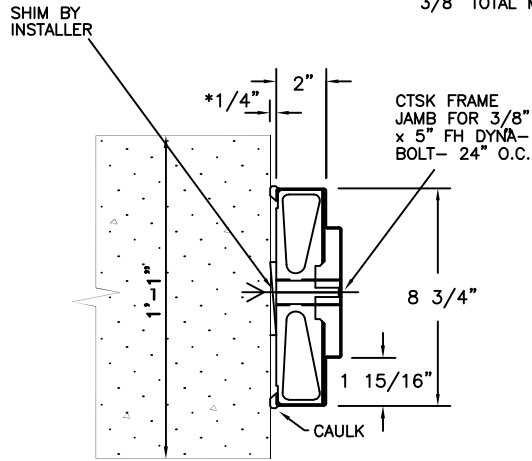


BUTTED Series SU or SQ

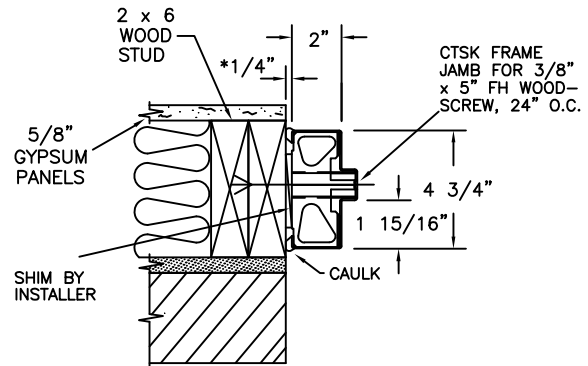


BUTTED Series SU or SQ

* 1/4" MAX. FOR ONE JAMB AND FRAME HEAD,
3/8" TOTAL MAX. FOR BOTH JAMBS.



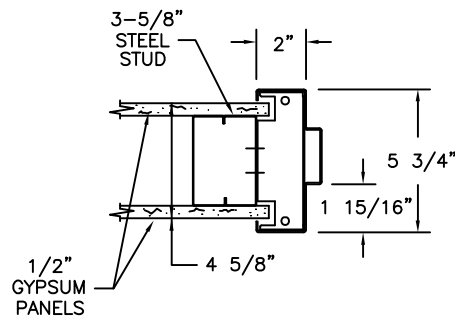
BUTTED Series SU or SQ



BUTTED Series SU or SQ

(Conversion: 1" = 25.4 mm, e.g., 1-3/4" = 44.45 mm)

TYPICAL METAL STUD ANCHOR WALL DETAILS Installed before the wall



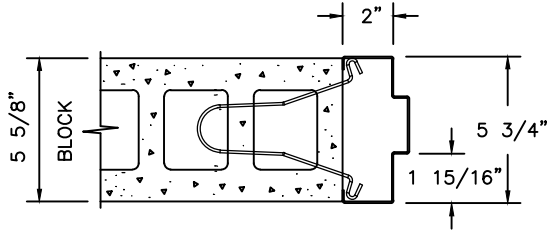
WRAP AROUND - Series SU or SQ

(Conversion: 1" = 25.4 mm, e.g., 1-3/4" = 44.45 mm)

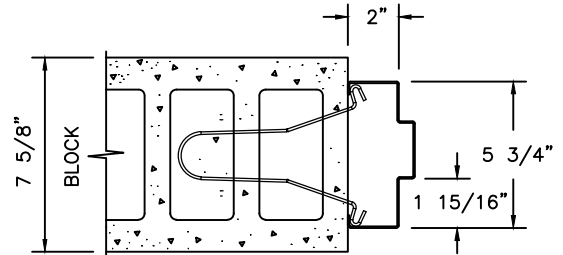
08/14/19

A1-3

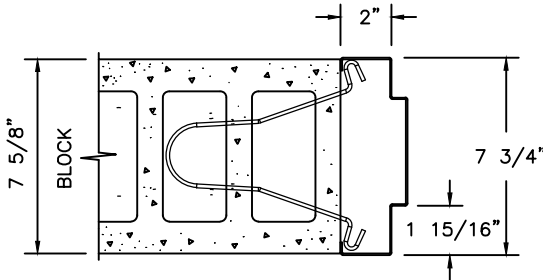
TYPICAL MASONRY BLOCK ANCHOR DETAILS



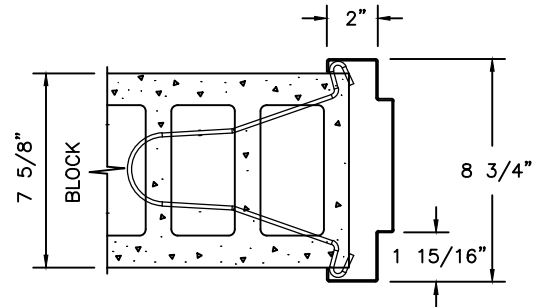
BUTTED Series SU or SQ



BUTTED Series SU or SQ



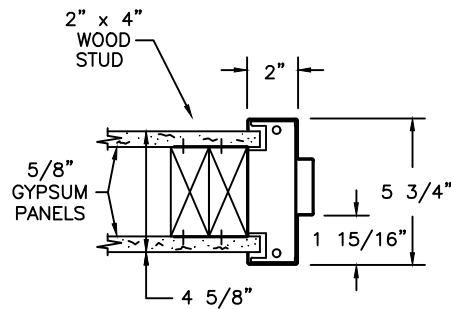
BUTTED Series SU or SQ



WRAP AROUND Series SU or SQ

(Conversion: 1" = 25.4 mm, e.g., 1-3/4" = 44.45 mm)

TYPICAL WOOD STUD WALL DETAILS Installed before the drywall



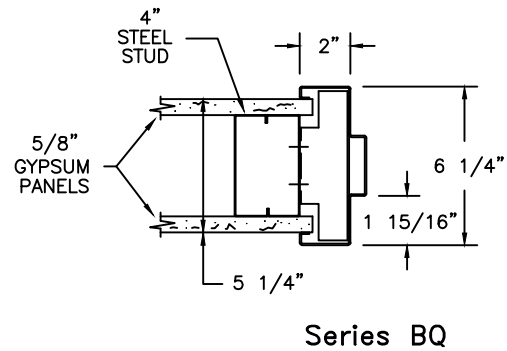
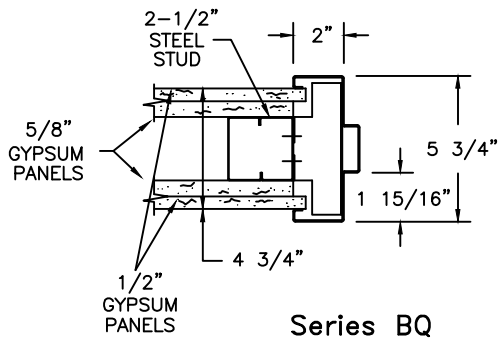
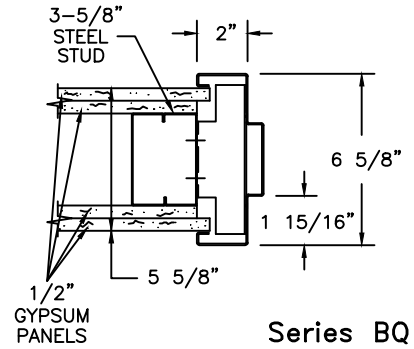
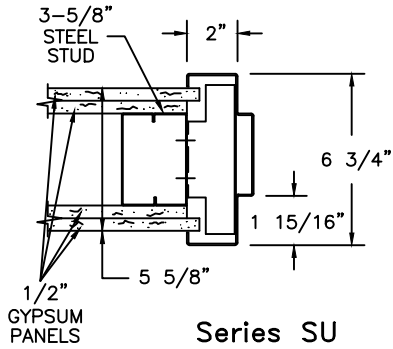
WRAP AROUND - Series SU or SQ

(Conversion: 1" = 25.4 mm, e.g., 1-3/4" = 44.45 mm)

08/14/19

A1-4

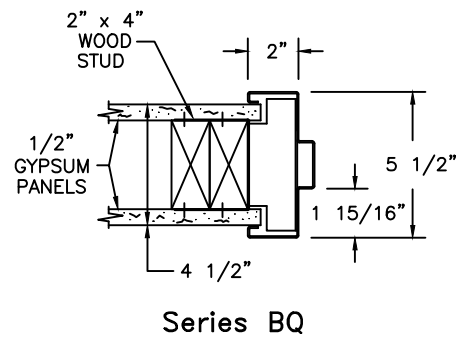
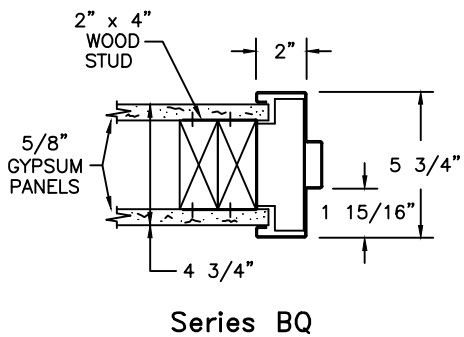
WELDED JAMB ANCHORS - METAL STUD WALL DETAILS Installed BEFORE the drywall



(Conversion: 1" = 25.4 mm, e.g., 1-3/4" = 44.45 mm)

See installation instructions for rough opening size ...

WELDED JAMB ANCHORS - WOOD STUD DETAILS Installed BEFORE the drywall



See installation instructions for rough opening size ...

(Conversion: 1" = 25.4 mm, e.g., 1-3/4" = 44.45 mm)

08/14/19

Rough Opening Reference Chart

A1-5

<u>Frame Series & Style</u>	Nominal Door Width plus....	Nominal Door Height plus....	Frame Face
3PC "S, SC, SE, B, BC, & BE" Series (WMA, MT & MT/Y&S) (Butted Application)	4-3/8"	2-1/4"	2"
3PC "S, SC, SE, B, BC & BE Series (EO) Butted Application)	4-3/8"	2-1/4"	2"
3PC "S, SC, SE, B, BC, & BE" Series (MSZ1 & WSZS (recessed)) (Wrapped Application)	2-3/4"	1-3/8"	2"
3PC "S, SC, SE, B, BC, & BE" Series (MSZ2, WSZS (FLUSH), ADJ/WS*, & ALL LOOSE WOOD* & METAL STUD*)	4-3/8"	2-1/8"	2"
3PC DU, DQ, DQW, **DR, **DRW Series	2"	1"	2"
3PC DC, ***DR, ***DRW Series	2-3/4"	1"	2"
DWBLITE (DU, DQ & **DR Series)	2-5/8"	2-1/8"	2"
DWBLITE (DC, ***DR Series)	2-5/8"	2-7/8"	2"

Noteworthy "Rules of Thumb"

- 1) For sidelites, borrowed lites, or transom frames, the above will apply per series and anchoring.
 - 2) If a frame exceeds 8-3/4" depth, MT & XP anchors are the only loose anchors available. All other anchor types must be welded in.
 - 3) "S" & "B" series sidelites, borrowed lites, & transom frames will be supplied welded unless the size of the unit or job conditions required the frame to be split for field assembly with splines and/or welding. KD is only an option on some borrowed lites & a limited configuration of "D" series sidelites.
 - 4) For any odd profiles or faces other than 2" face, consult the factory for rough openings or anchor availability. 1-3/8" is standard low side face on double egress frames.
 - 5) EO anchors will be prepped for two in the soffit when the depth exceeds 14".
 - 6) EO anchors will be positioned in the rabbet for SR & BR series if the depth falls below 4-1/2", All SQT, SRT, TQB, TRB, SE & BE series frames, anchors will be in the rabbet.
 - 7) SU frame profile with EO/SF6 anchors min. depth is 4-3/4". SQ frame profile with EO/SF6 min. frame depth is 5-1/8". 4-1/2" depth SU frame profile requires A09 anchor.
 - 8) EO anchors: when frame depth is over 8-3/4" up thru and including 14", and anchors are attached, anchors will be pipe and plate type.
 - 9) EO anchor wall condition shall have a 1/4" max. gap between one jamb and frame head and wall, and the rough opening shall be a max. of 3/8" wider than the overall width of the frame.
- (*The only loose anchors available on SE or BE series frames are WMA's or MT's)
 ** DR & DRW frames with depths over 4" plumb anchors are located in the soffit.
 *** DR, DRW & DC frames with 4" depths or less plumb anchors are located in the rabbet.

(Conversion: 1" = 25.4 mm, e.g., 1-3/4" = 44.45 mm)

 **Ceco Door**

ASSA ABLOY

08/14/19